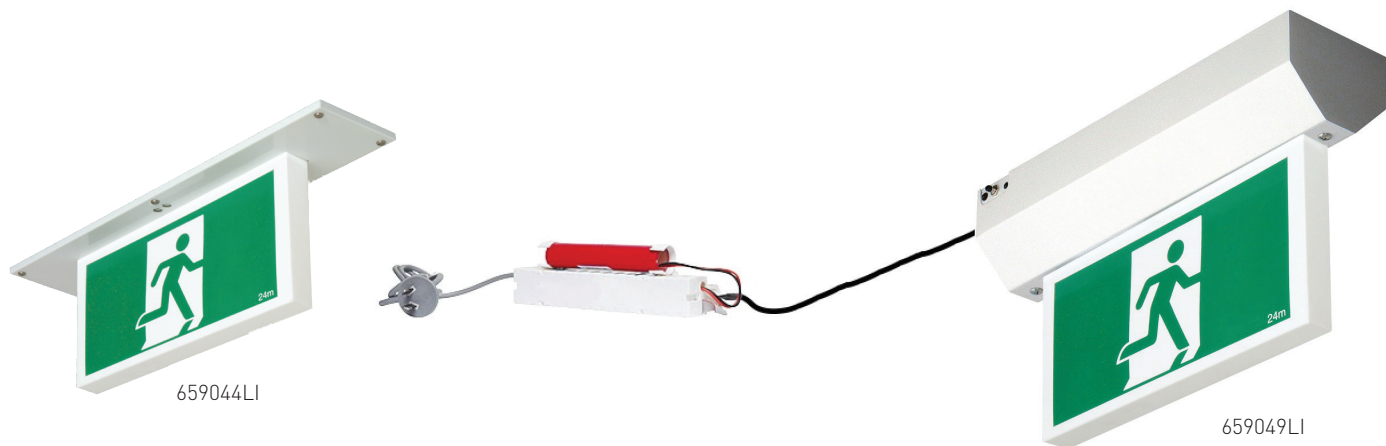




Datasheet

Securit LED

CAT. NO. 659044LI, 659045LI, 659046LI, 659047LI, 659048LI, 659049LI,
659050LI, 659051LI, 659052LI, 659053LI



Operation	Maintained
Nominal Input Voltage	230 - 240 V a.c. 50 Hz
Battery	Li-ion 6.4 V 0.57 Ah
Power Consumption	4 W
Inrush Current	5 A peak
Light Source Life (LSL)	50,000 hrs
Body Construction	Zinc coated steel finished in white powder coated
Diffuser Construction	Unbreakable flexible thermo plastic
Fixing screws	Anti- tamper Resitork
Operating Temperature	10° C to 40° C
IP Rating	IP20
IK Rating	IK06
Product Weight	1.9 Kgs (Surface Model) 2.2 Kgs (Recess Model)
Compliance	AS/NZS 2293, AS/NZS 60598, AS/NZS 4268, AS CISPR 15
Product Marking	  R-NZ



GALAXY
CONNECTED EMERGENCY LIGHTING SYSTEM



Bluetooth



Securit LED

CAT. NO. 659044LI, 659045LI, 659046LI, 659047LI, 659048LI, 659049LI,
659050LI, 659051LI, 659052LI, 659053LI



FEATURES

- Embedded Bluetooth for smart device connectivity.
- Low Power Wide Area Network type of communications utilising LoRa platform.
- LoRa communication to maximise reliability, coverage and infiltration.
- Unbreakable flexible thermo plastic diffuser.
- Diffuser cannot be used as a weapon if dislodged.
- Anti-tamper Resitork screws to prevent removal of the unit.
- Thick 6mm polycarbonate panel to prevent entry to electronic components and LEDs.
- Simple to install with quick connect terminal block.
- iSmart™ temperature sensing technology for the Li-ion battery.
- Electronics designed to lengthen the life of the battery, minimising maintenance costs.
- 5 Year Warranty.
- Designed and Manufactured in Australia.

SPACING TABLE

Maximum Spacing between luminaires for 0.2 lux (Australia)						
Mounting Height (m)	2.1	2.4	2.7	3.0	3.3	3.6
C ₀ : E1.25	4.1	4.1	0.0*	0.0*	0.0*	0.0*
C ₉₀ : E1	3.7	0.0*	0.0*	0.0	N/A	N/A

As per AS/NZS 2293.1:2018

* - exit sign satisfies the requirement to illuminate the doorway or potential hazard, however without a spacing for this mounting height as per AS/NZS 2293.1:2018 clause 4.5.

N/A - exit sign without a spacing when installed at this mounting height.

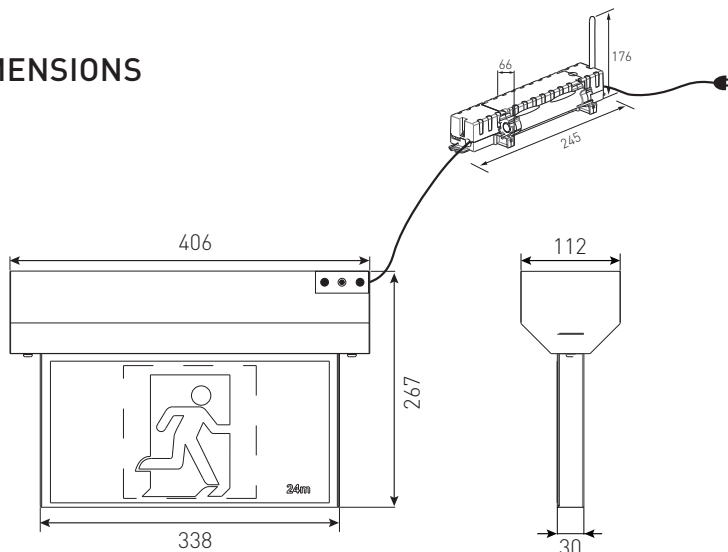
Note: For 1.0 lux (New Zealand), this exit sign has no spacing when installed at these mounting heights.

Securit LED

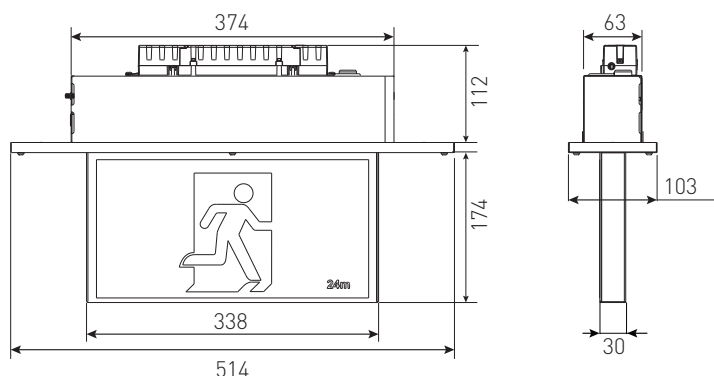
CAT. NO. 659044LI, 659045LI, 659046LI, 659047LI, 659048LI, 659049LI,
659050LI, 659051LI, 659052LI, 659053LI



DIMENSIONS



Surface mounted with Remote gear



Recessed

Cat. No.	Description
RECESSED	
659044/LI	SECURIT LED SS RM
659045/LI	SECURIT LED SS RML
659046/LI	SECURIT LED SS RMR
659047/LI	SECURIT LED DS RM
659048/LI	SECURIT LED DS RML/R
SURFACE MOUNTED (WITH REMOTE GEAR)	
659049/LI	SECURIT LED SS RM
659050/LI	SECURIT LED SS RML
659051/LI	SECURIT LED SS RMR
659052/LI	SECURIT LED DS RM
659053/LI	SECURIT LED DS RML/R

RM = Running Man Straight, RML = Running Man Left, RMR = Running Man Right
DS = Double sided, SS = Single sided,

Note: All the dimensions are in mm.

Legrand Australia
1300 369 777
www.legrand.com.au
ABN 31 000 102 661

Legrand New Zealand
0800 476 009
www.legrand.co.nz

Refer to your group buying office, Legrand Sales Representative or
Legrand Sales Office for pricing.

Please note: specifications are subject to change without prior notice.



LEG2417C

03_2022